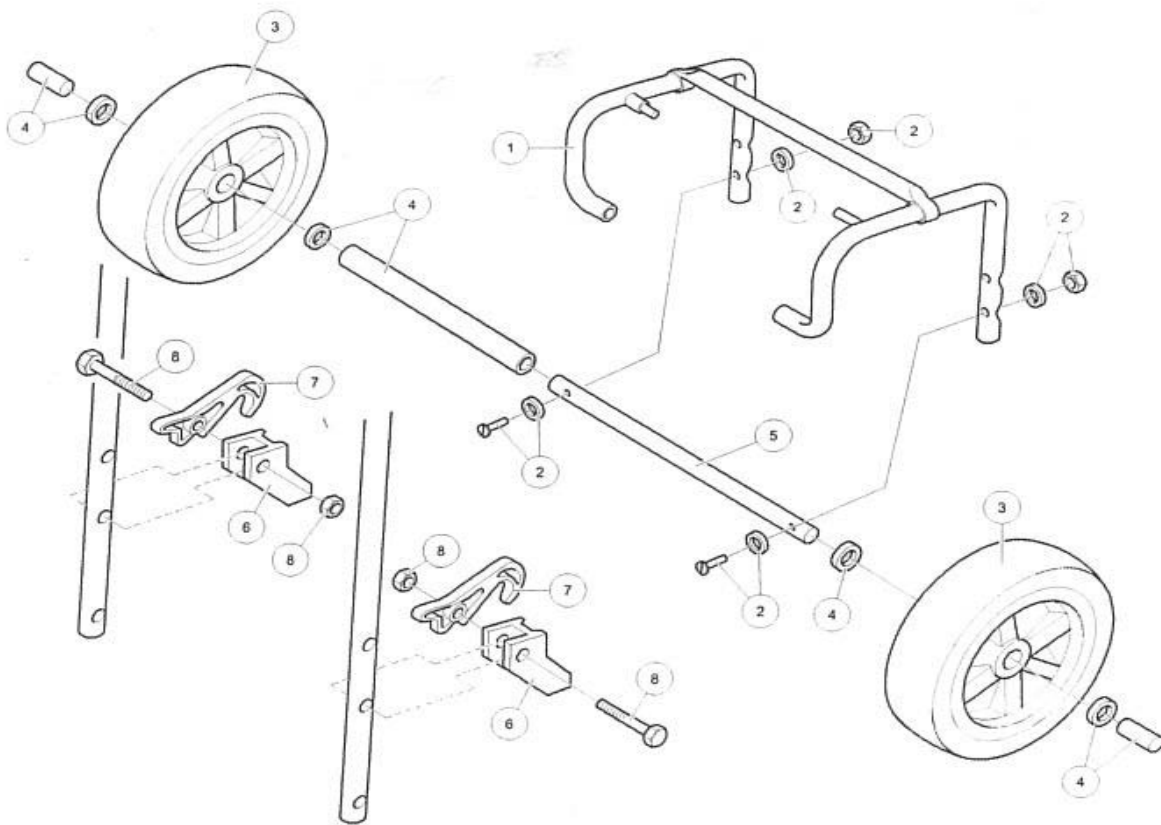


Transport Wheel kit – Assembly Instructions

1 - Assemble items 1, 2, 3, 4 & 5. Items 6, 7 & 8 should be fitted to the left hand and right hand lower handle bar as shown.



2 – Ensure handle bar in upright position.
Locate left hand spigot into left hand lower handle bar

3 - Locate right hand spigot into right hand lower handle bar



4 – Lower Handle bar, and ensure both left hand & right hand latches are pushed down and located on the crossbar.

